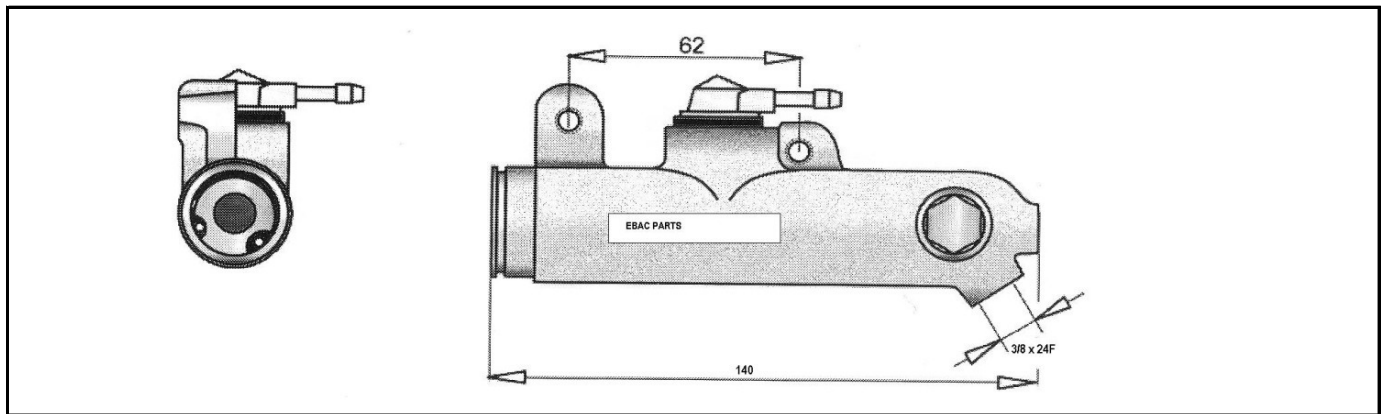


	Indice ricambi Case IH - Spare parts Case IH			
	Molti altri ricambi disponibili su richiesta - Many other parts available on demand			
	Viele andere Ersatzteile auf anfrage - Autres pièces disponibles sur demande			
progr	Codice Originale	Codice Ebac	Description	
001	197712C2	AFD1090	Asta sterzo completa - Tie rod bar assy	D
002	197713C2	AFD1091	Asta sterzo completa - Tie rod bar assy	D
003	411904A1	AFD1092	Asta sterzo completa - Tie rod bar assy	D
004	183677A1	AFD1093	Asta sterzo completa - Tie rod bar assy	D
005	245723A1	AFD1094	Asta sterzo completa - Tie rod bar assy	D
006	3140943R1	AFD1100	Asta sterzo completa - Tie rod bar assy	D
007	153326518	AFD1829	Asta sterzo completa - Tie rod bar assy	D
008	183678A1	AFD1829	Asta sterzo completa - Tie rod bar assy	D
009	85807976	AFD1830	Asta sterzo completa - Tie rod bar assy	D
010	3146733R1	AFT3376	Tirante sterzo - Tie rod end	D
011	3221271R95	AFT5917	Tirante sterzo - Tie rod end	D
012	1968469C1	AFT9648	Tirante sterzo - Tie rod end	D
013	1968473C1	AFT9648	Tirante sterzo - Tie rod end	D
014	126144A1	AFT4416	Tirante sterzo - Tie rod end	D
015	133743010	AFT3473	Tirante sterzo - Tie rod end	D
016	133743002	AFT2347	Tirante sterzo - Tie rod end	D
017	354730A1	AFT0374	Tirante sterzo - Tie rod end	D
018	133743617	AFT7163	Tirante sterzo - Tie rod end	D
019	340483A1	AFT3840	Tirante sterzo - Tie rod end	D
020	N14377	SA57039	Snodo assiale - Axial joint	
021	N14388	SA57040	Snodo assiale - Axial joint	
022	133743011	SA571103	Snodo assiale - Axial joint	
023	133743003	SA573003	Snodo assiale - Axial joint	
024	354731A1	SA571374	Snodo assiale - Axial joint	
025	112509A1	SA579052	Snodo assiale - Axial joint	
026	247523A1	AFT3840	Tirante sterzo - Tie rod end	
027	132665A1	AFP1034	Asta sterzo completa - Tie rod bar assy	1P
028	133743617	AFP1035	Asta sterzo completa - Tie rod bar assy	1P
029	133743015	AFP1810	Asta sterzo completa - Tie rod bar assy	1P
030	132666A1	AFP6034	Asta sterzo completa - Tie rod bar assy	1P
031	133743619	AFP6035	Asta sterzo completa - Tie rod bar assy	1P
032	133743014	AFP6810	Asta sterzo completa - Tie rod bar assy	1P
033	87535704	AFD1919	Asta sterzo completa - Tie rod bar assy	D
034	86825030	AFD1920T	Tirante sterzo - Tie rod end	D
035	85817683	AFD1921	Asta sterzo completa - Tie rod bar assy	D
036	85807974	AFD1922	Asta sterzo completa - Tie rod bar assy	D
037	MH2.6	AFD1923	Asta sterzo completa - Tie rod bar assy	D
038	070TR256	AFD1924T	Tirante sterzo - Tie rod end	2PD
039	128604A1	AFD1924T	Tirante sterzo - Tie rod end	2PD
040	070TR252	AFD1925T	Tirante sterzo - Tie rod end	1PD
041	070TR251	AFD1926T	Tirante sterzo - Tie rod end	1PS
042	190462A1	AFS1086	Disco freno - Friction disc	
043	245297A1	AFS1087	Disco freno - Friction disc	
044	291579A1	AFS1088	Disco freno - Friction disc	
045	1263329A1	AFS1089	Disco freno - Friction disc	
046	331518T2	AFS1090	Disco freno - Friction disc	
047	148962A1	AFS1091	Disco freno - Friction disc	
048	A41355	AFS1359	Disco freno - Friction disc	
049	371135A1	AFS5265	Disco freno - Friction disc	
050	8900126641	AFS6781	Disco freno - Friction disc	
051	A64525	AFS3261	Disco freno - Friction disc	

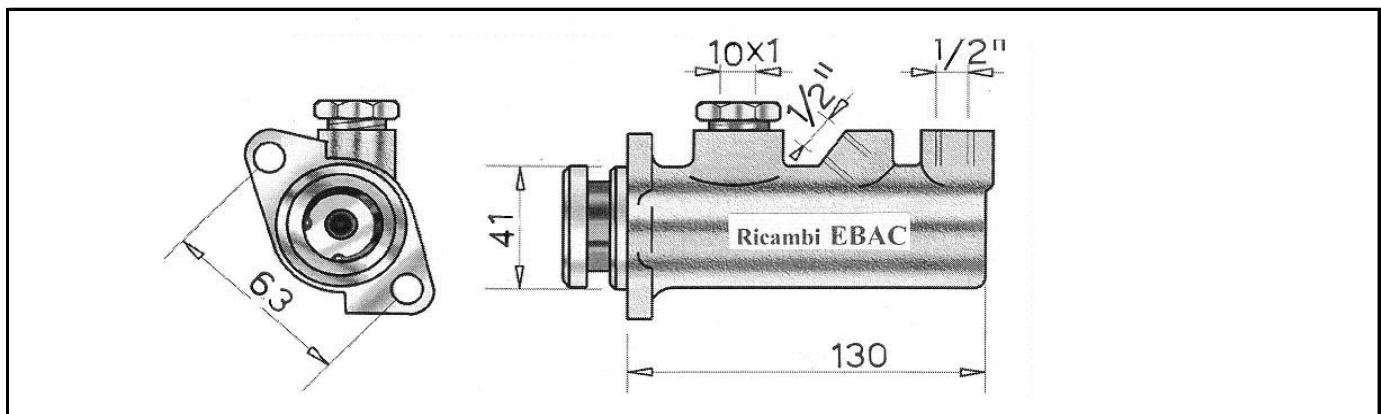
	Indice ricambi Case IH - Spare parts Case IH		
	Molti altri ricambi disponibili su richiesta - Many other parts available on demand		
	Viele andere Ersatzteile auf anfrage - Autres pièces disponibles sur demande		
progr	Codice Originale	Codice Ebac	Description
052	A133720	AFS2985	Disco freno - Friction disc
053	A188853	AFS6563	Disco freno - Friction disc
054	A190067	AFS4243	Disco freno - Friction disc
055	D70672	AFS4265	Disco freno - Friction disc
056	E159992	AFS2829	Disco freno - Friction disc
057	92935C3	AFS7783	Disco freno - Friction disc
058	100050A1	AFS2893	Disco freno - Friction disc
059	119433A1	AFS2811	Disco freno - Friction disc
060	120488C1	AFS7393	Disco freno - Friction disc
061	146055A1	AFS7231	Disco freno - Friction disc
062	190462A1	AFS2823	Disco freno - Friction disc
063	291578A1	AFS4995	Disco freno - Friction disc
064	291579A1	AFS4993	Disco freno - Friction disc
065	357534A1	AFS3659	Disco freno - Friction disc
066	366999A1	AFS5271	Disco freno - Friction disc
067	401716R3	AFS3143	Disco freno - Friction disc
068	1263329H1	AFS3575	Disco freno - Friction disc
069	237018A1	AFA1142	Disco freno intermedio - Steel friction disc
070	291580A1	AFA1143	Disco freno intermedio - Steel friction disc
071	1276804A1	AFA1144	Disco freno intermedio - Steel friction disc
072	8900126637	AFA1145	Disco freno intermedio - Steel friction disc
073	401717R1	AFA1146	Disco freno intermedio - Steel friction disc
074	8900126635	AFA4288	Disco freno intermedio - Steel friction disc
075	367000A1	AFA5274	Disco freno intermedio - Steel friction disc
076	371134A1	AFA5270	Disco freno intermedio - Steel friction disc
077	D72327	AFA1324	Disco freno intermedio - Steel friction disc
078	D72803	AFA1216	Disco freno intermedio - Steel friction disc
079	D131147	AFA7228	Disco freno intermedio - Steel friction disc
080	D3145322	AFA6698	Disco freno intermedio - Steel friction disc
081	E135225	AFA3596	Disco freno intermedio - Steel friction disc
082	E135271	AFA3602	Disco freno intermedio - Steel friction disc
083	92934C2	AFA7888	Disco freno intermedio - Steel friction disc
084	100049A1	AFA2896	Disco freno intermedio - Steel friction disc
085	119430A1	AFA3608	Disco freno intermedio - Steel friction disc
086	181159A1	AFA2828	Disco freno intermedio - Steel friction disc
087	181162A1	AFA3904	Disco freno intermedio - Steel friction disc
088	237019A1	AFA5382	Disco freno intermedio - Steel friction disc
089	237023A1	AFA3906	Disco freno intermedio - Steel friction disc
090	401717R1	AFA3148	Disco freno intermedio - Steel friction disc
091	1276804H1	AFA3948	Disco freno intermedio - Steel friction disc
092	8900126637	AFA4282	Disco freno intermedio - Steel friction disc
093	1.33.135.113	BT34.259CN	Pompa freno - Brake master cylinder
094	1.33.135.417	BT34.259CN	Pompa freno - Brake master cylinder
095	1287734C92	BBJ34.8141	Pompa freno - Brake master cylinder
096	226301A1	BBJ34.8141	Pompa freno - Brake master cylinder
097	1287846C91	BBJ34.8141	Pompa freno - Brake master cylinder
098	1287734C91	BBJ34.8141	Pompa freno - Brake master cylinder
099	102027A1	BBJ34.8141	Pompa freno - Brake master cylinder
100	1287843C91	BBT100.204	Pompa freno - Brake master cylinder
101	1287843C92	BBT100.204	Pompa freno - Brake master cylinder
102	527542R91	BBJ34.8121	Pompa freno - Brake master cylinder

	Indice ricambi Case IH - Spare parts Case IH		
	Molti altri ricambi disponibili su richiesta - Many other parts available on demand		
	Viele andere Ersatzteile auf anfrage - Autres pièces disponibles sur demande		
progr	Codice Originale	Codice Ebac	Description
103	527542R92	BBJ34.8121	Pompa freno - Brake master cylinder
104	3223077R91	BKW64030	Pompa freno - Brake master cylinder
105	3402462R91	BKW64030	Pompa freno - Brake master cylinder
106	133135155	BKW75030	Pompa freno - Brake master cylinder
107	133135418	BKW75030	Pompa freno - Brake master cylinder
108	K950544	BKW40040	Pompa freno - Brake master cylinder
109	3141682R92	BKW84030	Pompa freno - Brake master cylinder
110	3145559R91	BKW55030	Pompa freno - Brake master cylinder
111	133123004	BKW41130	Pompa frizione - Clutch master cylinder
112	K203416	BKW60040	Cilindretto frizione - Clutch slave cylinder
113	K200219	BKW80040	Cilindretto frizione - Clutch slave cylinder

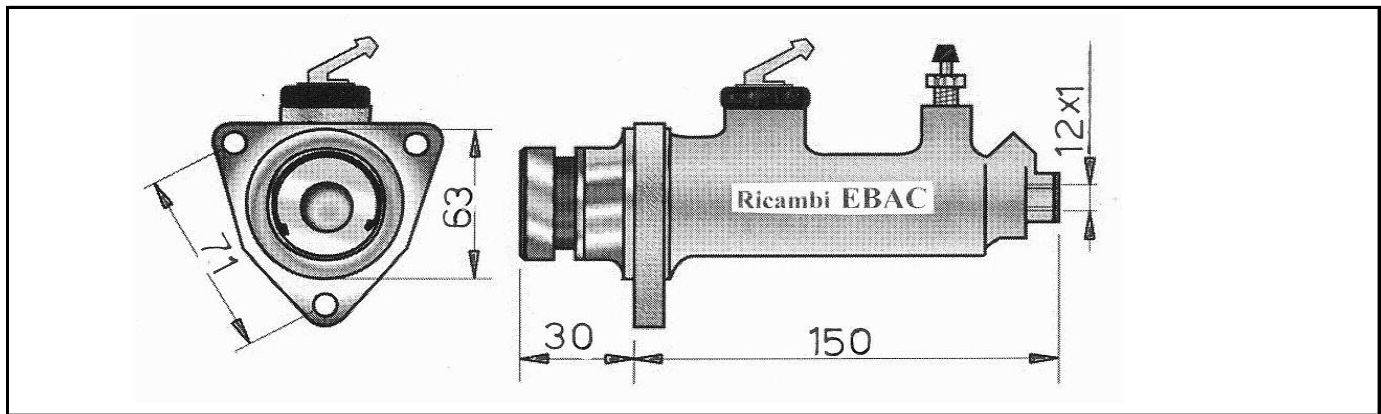
RICAMBI EBAC	Ricambi Case IH	Spare parts Case IH
------------------------	-----------------	---------------------



Ebac code		Description
BT78.23190		Brake master cylinder

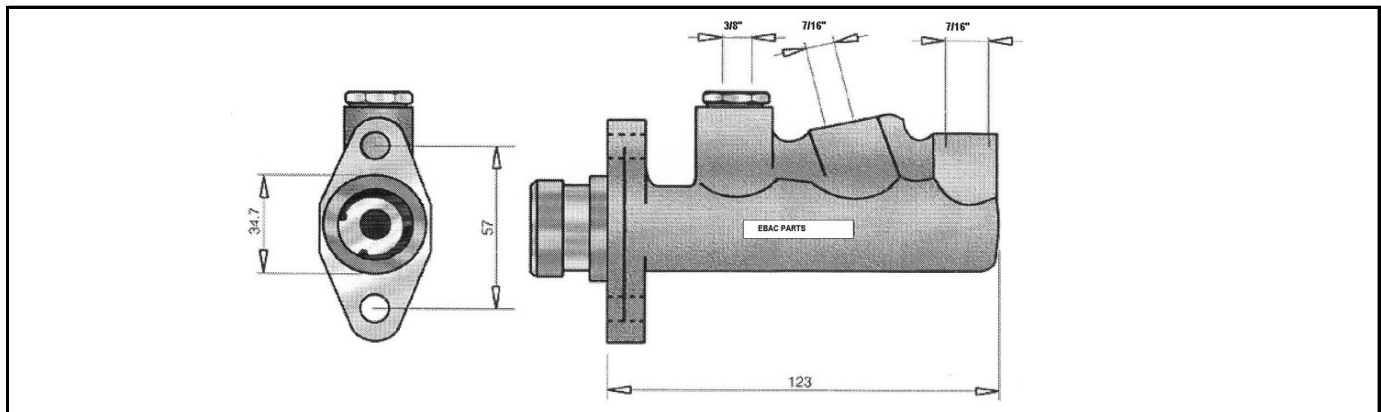


Ebac code		Description
BBT100.204		Brake master cylinder Om

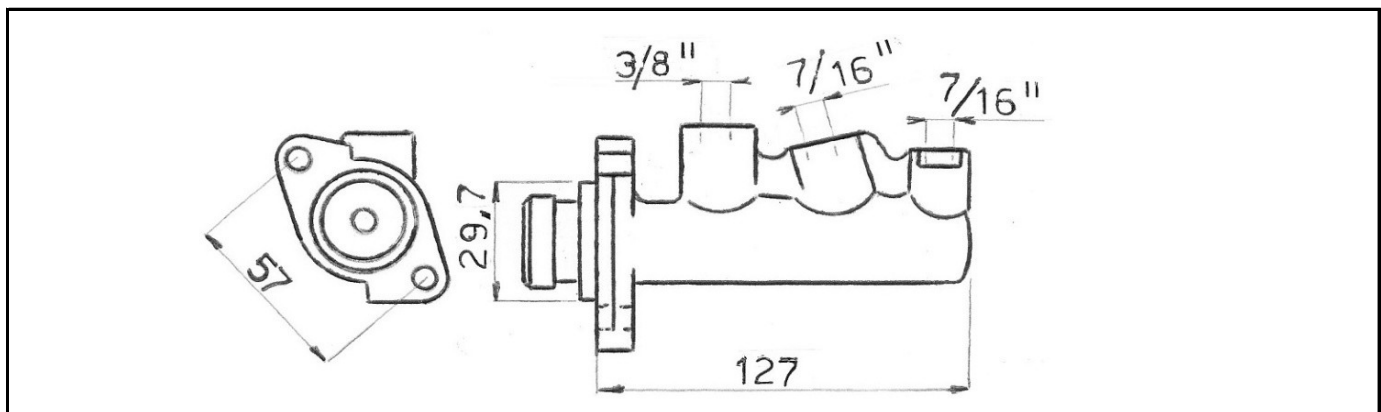


Ebac code		Description
BT138.208		Brake master cylinder

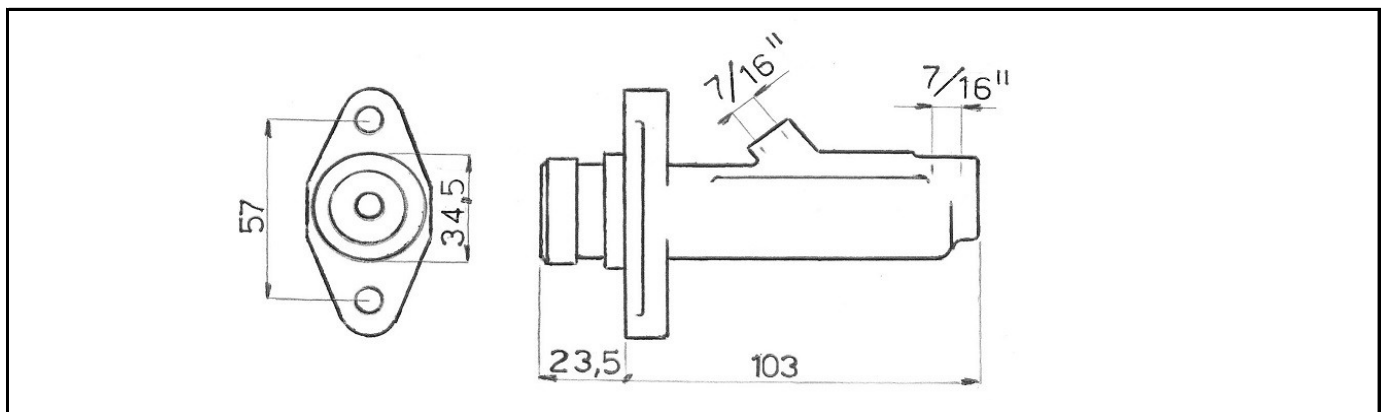
RICAMBI EBAC	Ricambi Case IH	Spare parts Case IH
------------------------	-----------------	---------------------



Ebac code		Description
BT34.259 CNHM		Brake master cylinder Mo



Ebac code		Description
BBJ34.8141		Brake master cylinder Mo



Ebac code		Description
BBJ34.8121		Brake master cylinder Mo